

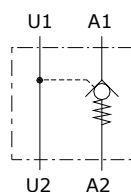
## Type VBPSL pilot operated check valves

- Single acting

Technical specifications and diagrams are measured with mineral oil ISO VG32 at 50°C (122°F) temperature.

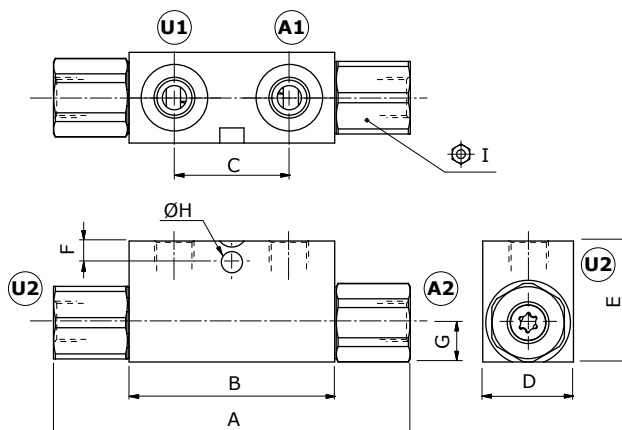
	<b>VBPSL 14</b>	<b>VBPSL/VP 38</b>	<b>VBPSL 38</b>	<b>VBPSL/VP 12</b>	<b>VBPSL 12</b>	<b>VBPSL 34</b>	
Nominal flow	30 l/min (7.9 US gpm)		50 l/min (13.2 US gpm)		80 l/min (21.1 US gpm)	120 l/min (31.7 US gpm)	
Max. pressure	350 bar (5100 psi)		300 bar (4350 psi)		300 bar (4350 psi)		
Oil leakage	0.25 cm <sup>3</sup> /min (0.015 in <sup>3</sup> /min) at 210 bar (3050 psi)						
Fluid	mineral based oil						
Viscosity	from 10 to 200 cSt						
Max. level of contamination	18/16/13 ISO4406						
Fluid temperature	with NBR seals: from -20°C (-4°F) to 80°C (176°F)						
Environmental temp. for working conditions	-40°C (-40°F) to 100°C (212°F)						
Weight	steel	0.68 kg (1.50 lb)	0.63 kg (1.39 lb)	0.97 kg (2.14 lb)	0.90 kg (1.98 lb)	1.69 kg (3.72 lb)	3.06 kg (6.75 lb)

NOTE - For different conditions, please contact Walvoil Sales Dpt.



### Dimensions

Valve type	All ports
VBPSL 14	G1/4
VBPSL/VP 38	G3/8
VBPSL 38	G3/8
VBPSL/VP 12	G1/2
VBPSL 12	G1/2
VBPSL 34	G3/4



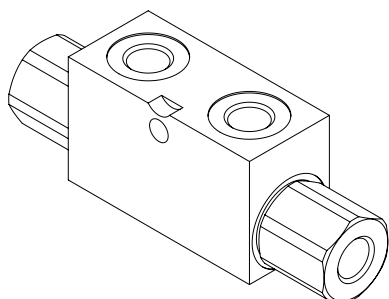
Dimensions are in mm-in

Valve type	A max.	B	C	D	E	F	G	ØH	⊕I
VBPSL 14	118-4.64	68-2.68	38-1.50	30-1.18	40-1.57	7-0.27	13-0.51	8-0.31	24
VBPSL/VP 38	118-4.64	68-2.68	38-1.50	30-1.18	40-1.57	7-0.27	13-0.51	8-0.31	24
VBPSL 38	144-5.67	80-3.15	40-1.57	30-1.18	50-1.97	15-0.59	16-0.63	8.5-0.33	27
VBPSL/VP 12	144-5.67	80-3.15	40-1.57	30-1.18	50-1.97	15-0.59	16-0.63	8.5-0.33	27
VBPSL 12	171-6.73	90-3.54	40-1.57	40-1.57	60-2.36	15-0.59	20-0.79	8.5-0.33	30
VBPSL 34	196 <sup>(1)</sup> -7.72 <sup>(1)</sup>	107-4.21	60-2.36	50-1.97	70-2.75	16-0.63	23-0.90	8.5-0.33	41

NOTE - <sup>(1)</sup> only for 04 SAE 208

### Ordering codes and description composition

Port size
Opening pressure  
**VBPSL 14 / p4,5 / Pa4 / ac**  
Pilot ratio



#### VBPSL complete valves

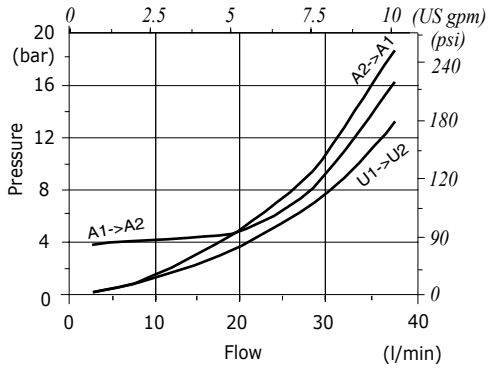
*Steel body*

TYPE	CODE	DESCRIPTION
<b>VBPSL 14/p4,5/Pa4/ac</b>	1410112100	G1/4 port, pilot ratio 1:4.5, opening press. 4 bar (58 psi)
<b>VBPSL 38/p4/Pa4/ac</b>	1410122100	G3/8 port, pilot ratio 1:4, opening press. 4 bar (58 psi)
<b>VBPSL/VP 38/p4,5/Pa4/ac</b>	1410122101	G3/8 port, pilot ratio 1:4.5, opening press. 4 bar (58 psi)
<b>VBPSL 12/p4/Pa4/ac</b>	1410132100	G1/2 port, pilot ratio 1:4, opening press. 4 bar (58 psi)
<b>VBPSL/VP 12/p4/Pa4/ac</b>	1410132101	G1/2 port, pilot ratio 1:4, opening press. 4 bar (58 psi)
<b>VBPSL 34/p4/Pa4/ac</b>	1410142100	G3/4 port, pilot ratio 1:4, opening press. 4 bar (58 psi)

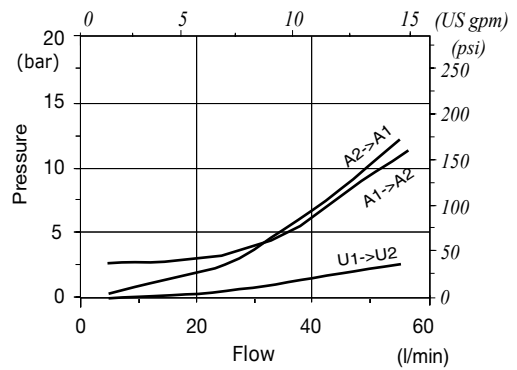
For different configurations or SAE thread please contact our Sales Dpt.

**Rating diagrams**

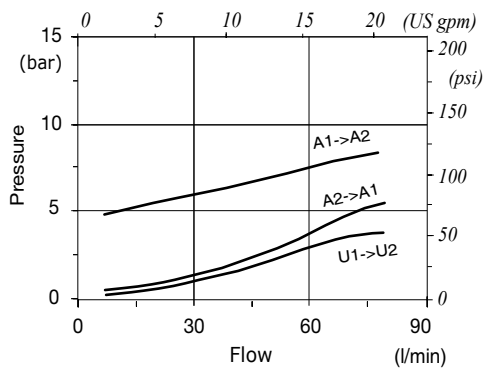
**VBPSL 14 pressure drop vs. flow**



**VBPSL 38 pressure drop vs. flow**



**VBPSL 12 pressure drop vs. flow**



**VBPSL 34 pressure drop vs. flow**

